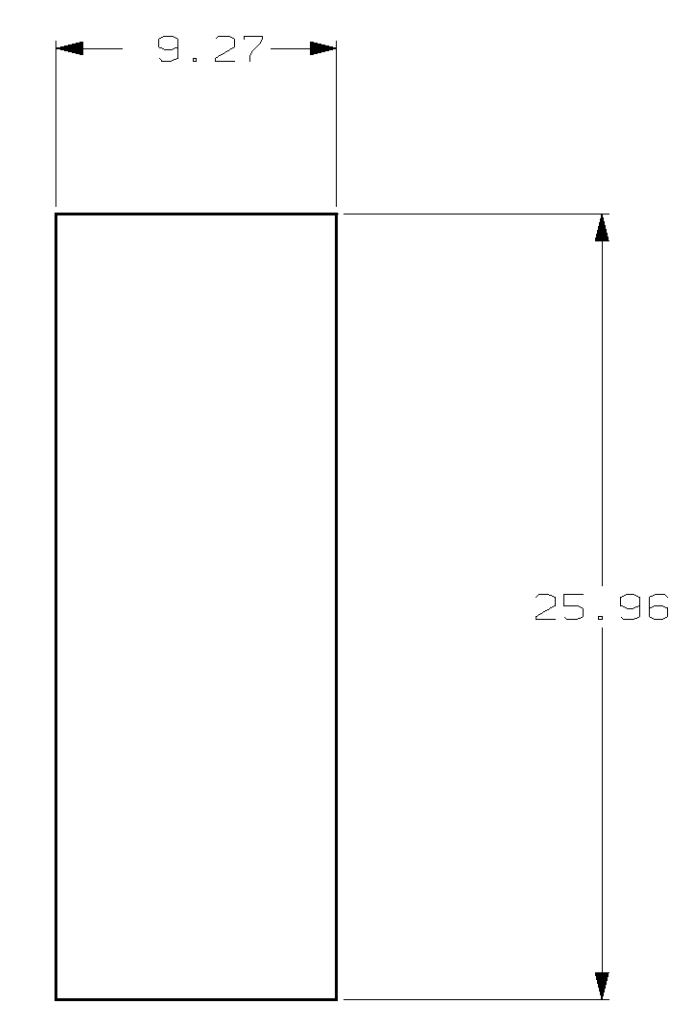
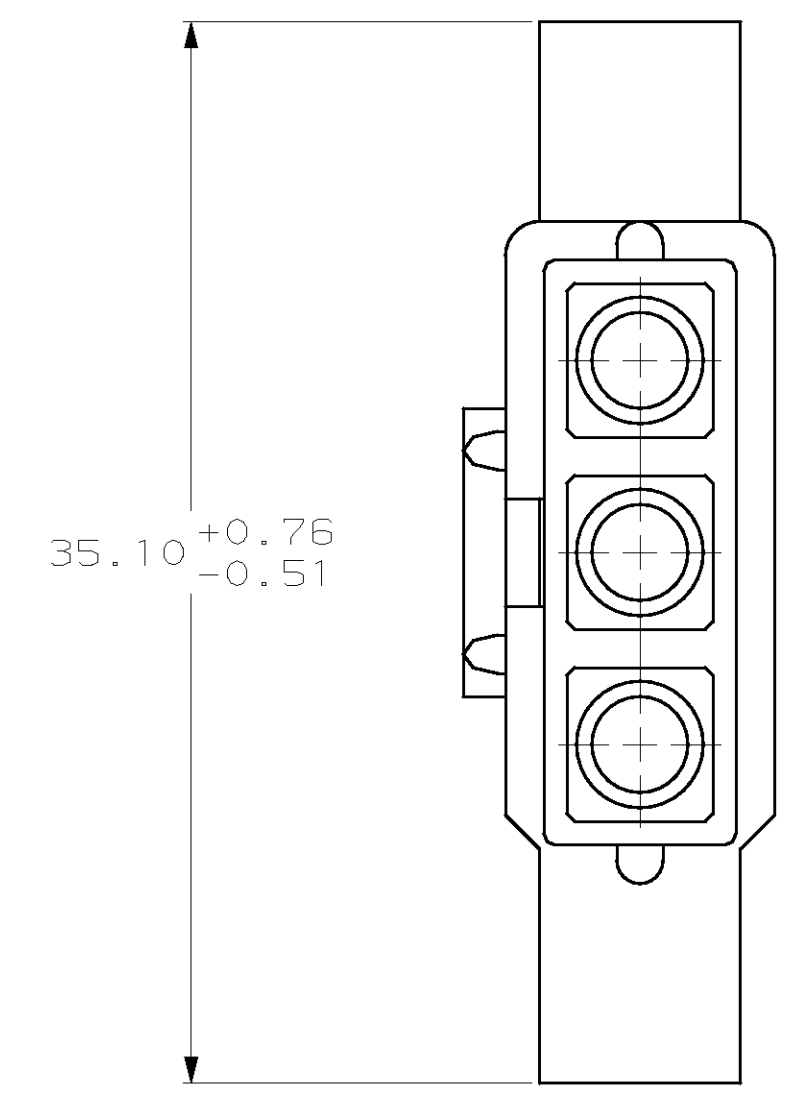
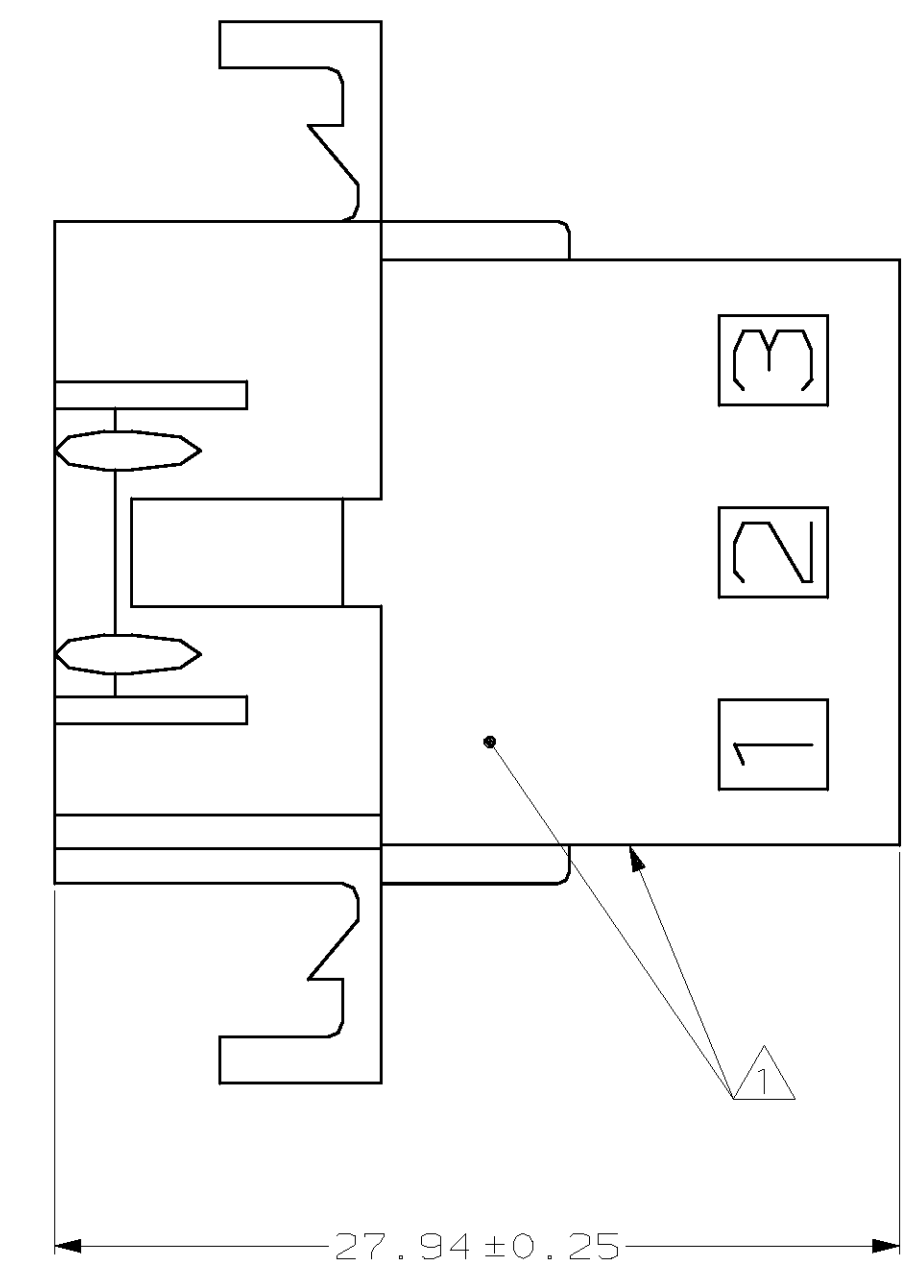
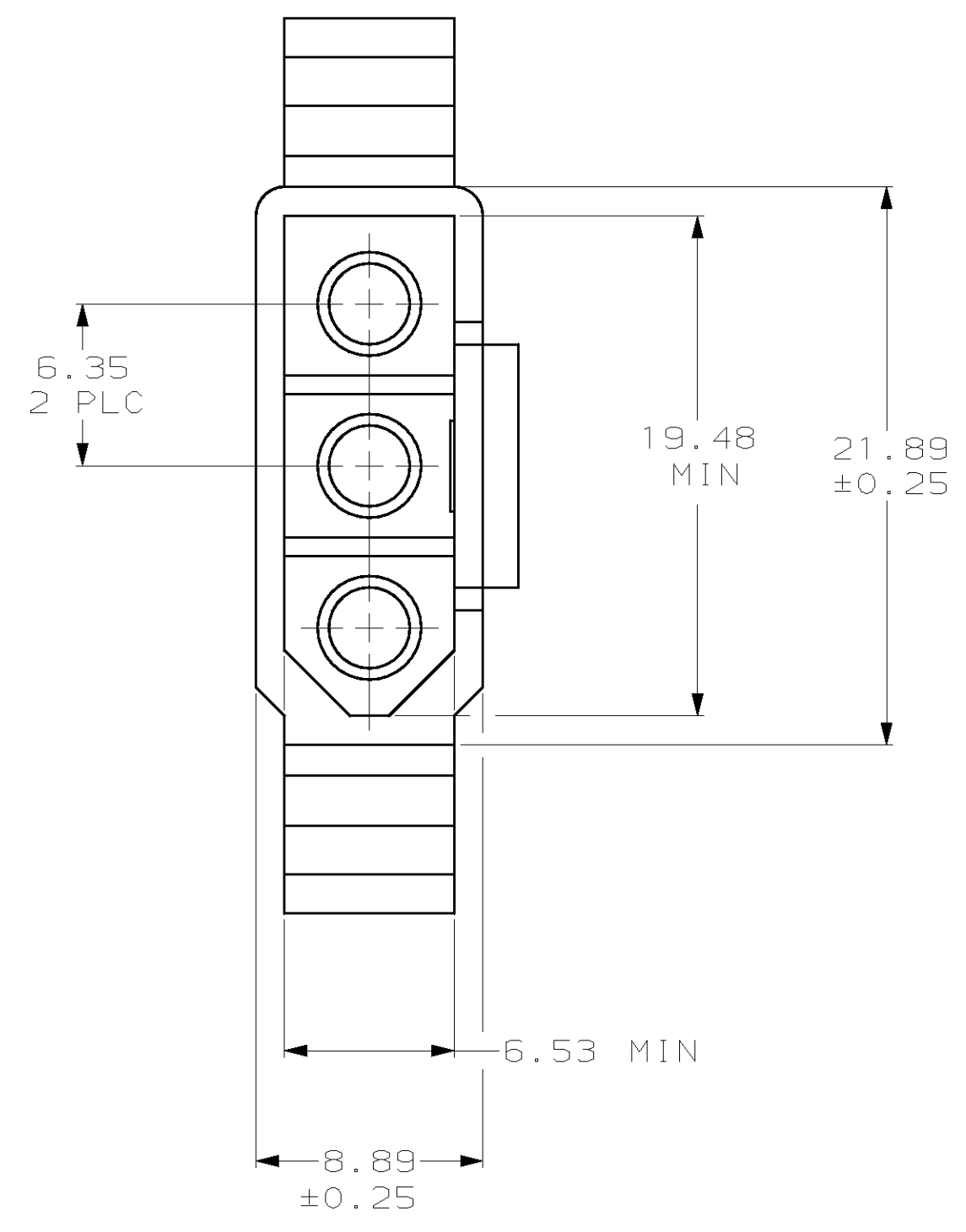
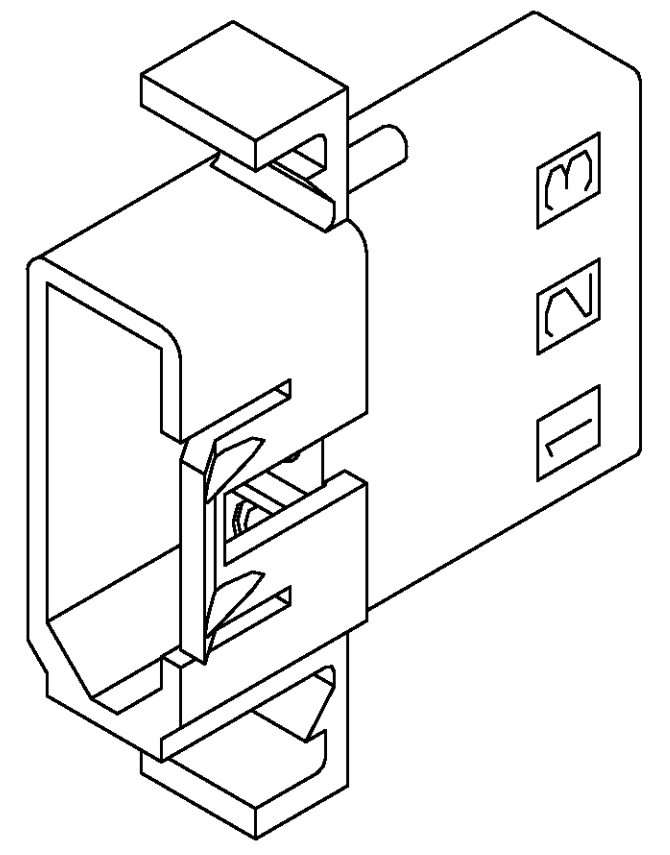


△ AMP LOGO AND CAVITY NUMBERS LOCATED ON EITHER SURFACE, OPPOSITE SIDE OPTIONAL.



RECOMMENDED CUT OUT FOR 1.58 MAX THICK PANEL



3-DIMENSIONAL MODEL NTS

6.53	.257	35.10	1.382
6.35	.250	27.94	1.100
1.58	.062	25.96	1.022
0.76	.030	21.89	.862
0.51	.020	19.48	.767
0.25	.010	9.27	.365
0.13	.005	8.89	.350
MM	IN	MM	IN

CONVERSION TABLE

770338-1
PART NUMBER

METRIC

THIS DRAWING IS A CONTROLLED DOCUMENT.		DWN K. WHITAKER 11-19-97	AMP AMP Incorporated Harrisburg, PA 17105-3608
DIMENSIONS: mm		CHK R. SWING 11-19-97	
TOLERANCES UNLESS OTHERWISE SPECIFIED:		APVD K. CORLE 11-19-97	NAME PLUG, PANEL MOUNT, 3 CIRCUIT, .250 PIN AND SOCKET
9 PLC ±-		PRODUCT SPEC	SIZE A1
1 PLC ±-		APPLICATION SPEC	SCALE CODE C-770338
2 PLC ±0.13		HEIGHT	RESTRICTED TO
3 PLC ±-		CUSTOMER DRAWING	SCALE 4:1
4 PLC ±-			SHEET 1 OF 1
ANGLES			REV F
MATERIAL NYLON, JL 94V-2, NATURAL			